

# N-Vent SYSTEM (concentric) INSTALLATION INSTRUCTION

## Horizontal extended installation (CWF-F)



Failure to follow the installation instructions could cause FIRE, CARBON MONOXIDE POISONING, or DEATH.

**warning**



**caution**

- The edges of sheet metal parts may be sharp. Always wear gloves and appropriate eye, foot, and other protections when handling these products.
- It is recommended that experienced professionals familiar with the operation and maintenance of gas burning appliances and vent/air intake system install this system. These instructions are a guide to assist a professional installer.
- Before commencing installation, please read the installation instructions carefully.
- Failure to follow the installation instructions could cause not only the lower performance of appliance but also property damage or personal injury.
- This vent system is a special stainless steel vent system for gas burning appliances, Category, II, III, IV.
- Different Manufacturers have Different Joint Systems and Adhesives. Do Not Mix Pipe, Fittings, or Joining Methods from Different Manufacturers.
- Examine all components for possible shipping damage prior to installation.

### • Horizontal extended installation

When the termination is attached to the wall using “Extensions Series” in order to extend the vent system, use Horizontal extended installation in diagram below. (See Fig 1) Parts sold separately.

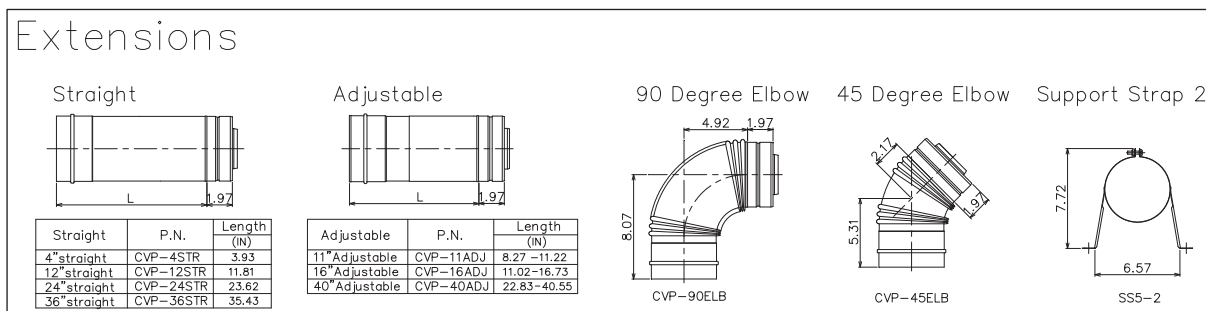


Fig 1 Dimensions of items (Concentric)

### Horizontal extended installation (See Fig 2)

1. Check the location of appliance and the path for the vent system. Calculate the required number and combination of items above. (See Fig 1)
2. Cut a 6" diameter opening. Cover the flue outlet to avoid debris from entering the appliance.
3. Check wall thickness where the vent system passes through, and select suitable parts according to Fig 1. In the case with thicker wall, insert CVP-4STR (Straight), CVP-11ADJ (adjustable) or CVP-16ADJ (adjustable) between CVT-S and CWF-F. When using Adjustable, open the hole with 1/8" diameter and fasten them by appropriate screw (ex. metal screw pan head #8-1/4). Adjust the length of the combination of the parts so that the end of the air intake part of CVT-S (termination) protrudes more than about 0.8" from the wall. Make sure the label with red line on the air intake of CVT-S (termination) should be downward, so that the red line of the label can be seen from the exterior wall. (See Fig 3)
4. Attach CWF-F on the inner wall by 3 appropriate screws. (See Fig 2)
5. Seal between the plate of CWF-F and the inner wall. Seal between air intake of CVT-S (termination) and the exterior wall. (See Fig4)
6. Install the vent system from the appliance to CVT-S (termination) using straight lengths, adjustable lengths, and elbows.
7. Make sure that slope the horizontal vent 1/4" (6mm) downwards for every 12" (300mm) towards the appliance. (See Fig 5)

8. Make sure that slope the vent termination piece downwards towards the terminating wall. (See Fig 5)
9. Attach FP-5-OUT on the outer wall with 3 appropriate screws. Make the label "UP" on the FP-5-OUT upward. Seal between FP-5-OUT and outer wall. (See Fig 4)
10. Connect a drain line to the condensate collector (built-in drain tee) on top of the unit to ensure any condensate within the vent system is removed and will not damage the unit. Make sure to dispose the condensate according to local code.

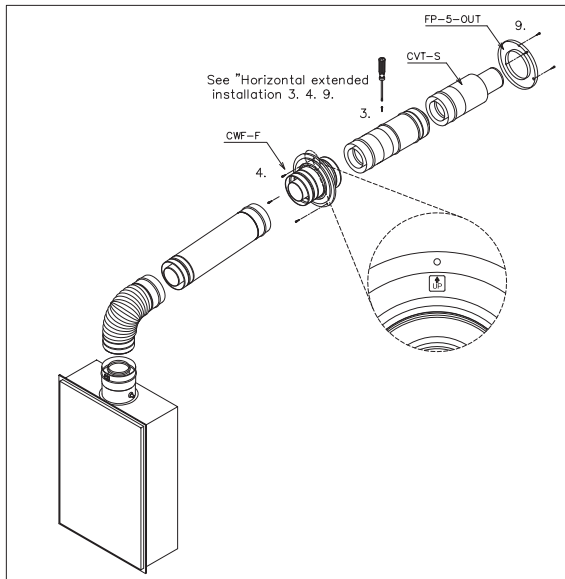


Fig 2 Horizontal extended installation (CWF-F)

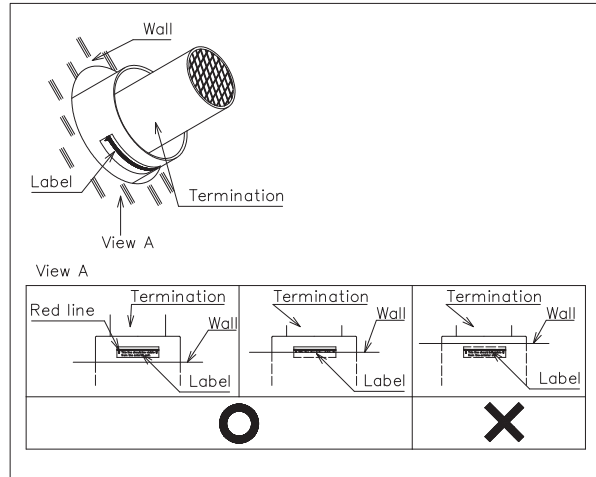


Fig 3 Position of the label with red line

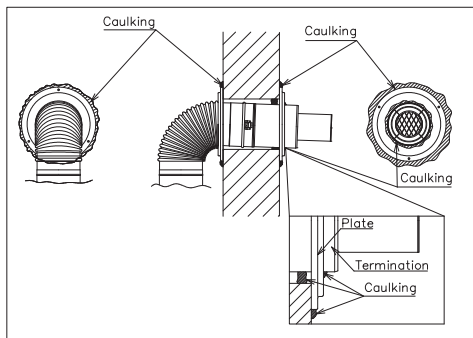


Fig 4 Seal between CVT-S, CWF-F and wall

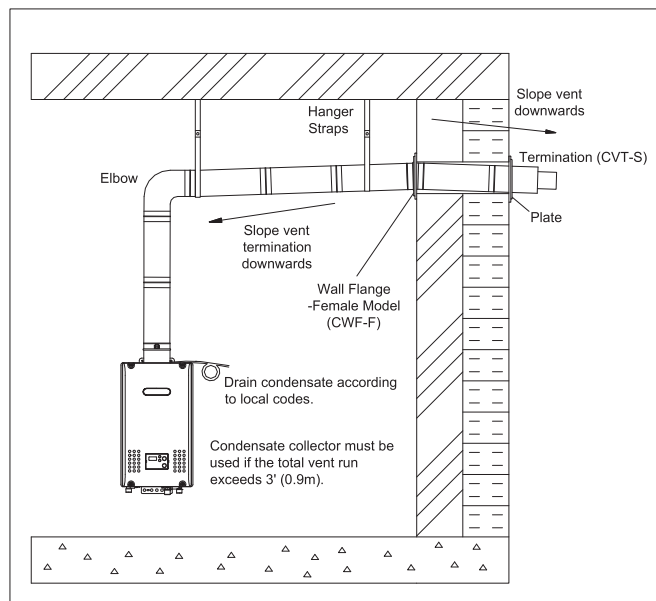


Fig 5 Horizontal extended installation

## N-Vent

NORITZ AMERICA CORPORATION  
11160 Grace Avenue, Fountain Valley, CA 92708

www.noritz.com